

PATENT ABSTRACTS OF JAPAN

(11)Publication number : **2001-106344**

(43)Date of publication of application : **17.04.2001**

(51)Int.Cl. **B65H 1/02**

B41J 29/00

B65H 31/00

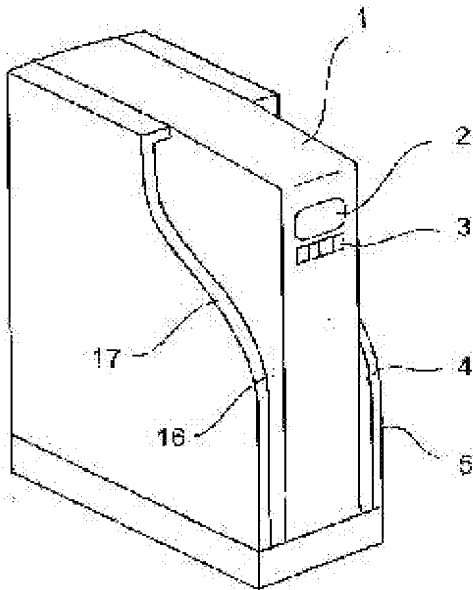
(21)Application number : **11-284281**

(71)Applicant : **OKI DATA CORP**

(22)Date of filing : **05.10.1999**

(72)Inventor : **ISHIKITA AKIRA
MICHITSUJI YOSHIHIKO
TSUKAGOSHI HISASHI**

(54) **PRINTER**



(57)Abstract:

PROBLEM TO BE SOLVED: To ensure a small installation area.

SOLUTION: This printer has a paper holding and feeding part feeding paper sheets while holding them upright, a printing part printing the fed paper sheets, and a paper holding and discharging part discharging printed paper sheets while holding them upright. Both the parts are provided at a side of a printer body. Paper sheets are carried and printed while they are held upright. Accordingly, the dominating ratio of the printed medium holding and carrying passage to the printer installation area is reduced, thereby attaining the purpose.